

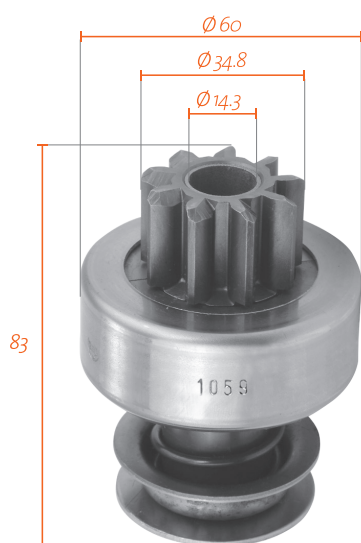
INFORMATIVE 07

TIPS ZEN S.A.

DIFFERENCE BETWEEN ZEN 1059 DRIVE AND ZEN 1073 DRIVE

The **ZEN 1059** and **ZEN 1073** drives have similar dimensions and features, but the **1059 drive** has recess depth equal to **10 mm** (according to red arrow), and **1073 drive** has its recess depth equal to **0 mm** (zero), since its ridges go up to the edge of tappet.

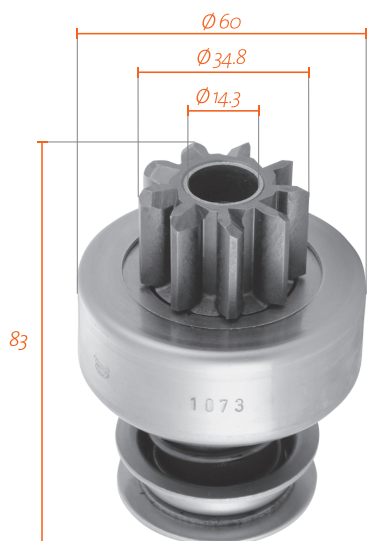
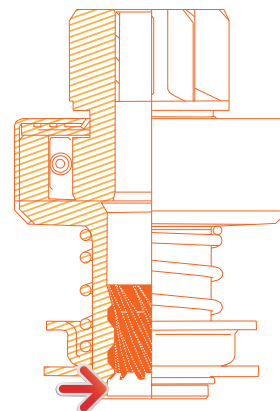
Thus, an item cannot be replaced by another.



1059 STARTER DRIVE

1.01.1059.0

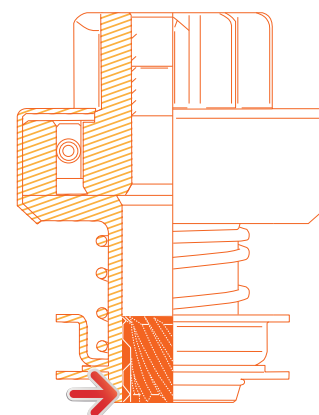
T	9	N° Teeth
G	34.8	Ø Ext. Pinion Teeth
L	83	Total Length
SPL	10	N° Ridges
ID	14.3	Ø Pug
D	60	Ø Cover
RH	10	Recess Depth mm
CW		Rotation Direction



1073 STARTER DRIVE

1.01.1073.0

T	9	N° Teeth
G	34.8	Ø Ext. Pinion Teeth
L	83	Total Length
SPL	10	N° Ridges
ID	14.3	Ø Pug
D	60	Ø Cover
RH	0	Recess Depth mm
CW		Rotation Direction



Compare these 2 items through “By Technical Comparison” research, in our [online catalog](#).